

1 4 5 - 2 0 0 N E T H O R S E P O W E R



**JOHN DEERE**

**J**

**DOZERS**

**750J | 850J**



## 750J

145 hp Standard, LT

155 hp LGP

32,585 lb. Standard

34,395 lb. LT

36,725 lb. LGP

22-, 24-, 28-, and 34-in. grousers

128-, 130-, and 156-in. blades



# Simply advanced.

Built with the same kind of forward thinking as our first hydrostatic dozer more than 30 years ago, 750J and 850J Dozers continue to define the way earthwork gets done. Their unique state-of-the-art Total Machine Control (TMC) enables

an operator to customize machine operation and response to personal preferences. Coupled with an uncommonly smooth full-featured hydrostatic drivetrain, the John Deere J-Series Dozers deliver unsurpassed power, control, and results. Again.



## 850J

185 hp Standard, LT, WT, WLT

200 hp LGP

40,165 lb. Standard

43,015 lb. LT

41,285 lb. WT

44,225 lb. WLT

45,375 lb. LGP

22-, 24-, 30-, and 36-in. grousers

128-, 140-, 146-, 152-,

158-, and 168-in. blades



Power turns, power management, infinite speed control — we introduced them all more than 30 years ago. And today's 750J and 850J are loaded with even more productivity- and uptime-boosting enhancements.

Eleven track frames, four mainframes, and a variety of blades let you choose the right crawler configuration for your kind of work.

Tier 3-certified John Deere diesels deliver power without compromise in all conditions.

Deere's unique Total Machine Control lets an operator customize the crawler's operational characteristics and response, and even records machine usage.

Standard equipped with JDLink™ Ultimate, you have 24/7 anywhere access to your dozer's location, utilization, dashboard alerts, fuel consumption, diagnostic codes, and hours. Plus geofencing, curfew, and numerous other capabilities.

Best-in-class service access, same-side daily servicing, and extended engine, hydraulic, and transmission oil and filter service intervals help keep downtime to a minimum.



Equipped with optional Integrated Grade Control (IGC), adding your preferred grade-control system is "plug-and-play" easy.



Independent track control speeds up or slows down each side – for smooth, full-power turns. An automatic 10-percent power boost helps carry more material in a turn.



No need to cross-steer or ride a brake. These dozers steer the same and maintain their preset speed whether working on level ground or a 2-to-1 slope.

# Maximize productivity with minimal effort.

All dozers move the earth. But if you want one that does more with a lot less effort, you'll choose a John Deere J-Series. State-of-the-art electronic controls put you in complete command of a whole arsenal of hydrostatic advantages, including power turns, counterrotation, and

infinitely variable travel speeds. What's more, Total Machine Control lets an operator customize decelerator mode and response, forward/reverse ground-speed ranges, steering modulation, and forward/reverse speed ratios. Nothing else even comes close.



Low-effort controls command the blade and a full-featured hydrostatic drivetrain, ensuring predictable response at all times in all conditions.

Simply set the maximum desired ground speed and the power-management system automatically maintains peak engine rpm and power efficiency without stalling or shifting.

Infinitely variable range to 6.8 mph gives total flexibility to match ground speed to the load. Travel can also be varied to fit specific applications, terrain, or operating preferences — and even limited to maximize undercarriage life.

Purpose-built mainframes for power-angle-tilt and outside-mount blades allow optimized component placement for uncompromised grading ability.

Fully modulated drivetrain ensures smooth starts and direction changes, while virtually eliminating jerky or abrupt movements.

Counterrotation is a productivity-boosting feature that enables an operator to overcome heavy corner loads and quickly reposition the blade on the go. Provides space-saving spot turns, too.



The image shows the interior of a skid steer loader operator's cab. A grey upholstered seat is the central focus, with a red ball-topped joystick control to its right. The cab is filled with various mechanical components, control panels, and safety features. The background is a plain, light-colored wall.

# Get more done within our comfort zone.

Generous hydraulic flow and precise metering ensure powerful and quick blade response, while providing a natural "feel" that will enhance any operator's grading skills. A thumb-actuated switch provides low-effort angle control.

Retractable seat belt, slip-resistant floor mat, convenient grab bars, neutral-start lever, and automatic park brake help keep the operator out of harm's way.

Deluxe suspension armchair won't cramp your operator's style. Seven-way adjustable seat provides plenty of legroom and daylong comfort. Arm- and footrests also adjust.

Ergonomically correct joystick provides intuitive, low-effort control of steering, forward/reverse travel, and ground speed. It's detented so it doesn't require an operator's constant touch or attention, and employs a thumb-actuated travel-speed switch.

Convenient 12-volt port provides power for accessories such as cell phones.



Want your operators to be more productive? Put them in the seat of this spacious air-conditioned modular cab. From their ergonomically designed fully customizable controls to best-in-class visibility, J-Series Dozers are loaded with everything you need to keep your operators cool, calm, productive – and on your payroll.



Cab-forward design positions the operator for a more stable ride and a commanding view behind, below, and beyond the blade. Side and rear visibility is equally unobstructed. Monitor keeps a vigilant watch on vital machine functions with warnings you can see and hear.



Exclusive TMC lets you customize decelerator mode and response, forward/reverse ground-speed ranges, steering modulation, FNR shift rate, and forward/reverse speed ratios, for unsurpassed one-of-a-kind control.



Choose the decelerator function that's right for the job. Slow both ground speed and engine rpm, or ground speed only to help maintain traction without affecting engine power and hydraulic response. Fully depressing the pedal applies the brakes.



Automotive-style directional vents deliver effective airflow to keep the glass clear and the cab comfortable. Air conditioning is standard on all cabs. For ROPS-only crawlers, an optional under-seat heater helps warm the operator.



High-intensity halogen driving lights are standard. Or opt for the factory-installed 360-degree light package and extend your workday beyond normal daylight hours.

One-piece welded main-frame resists torsional stress, absorbs shock loads, and delivers maximum strength while allowing easy service access to major components.

Individually replaceable wet-sleeve cylinder liners provide uniform engine cooling and long-term durability.

Sealed transmission connectors prevent moisture and contaminants from entering terminals: gold pins resist corrosion for increased reliability.



# Nothing lasts like a Deere, either.

Designed and built with state-of-the-art tools and techniques by a quality-conscious workforce at our world-class facility in Dubuque, Iowa, the J-Series are loaded with uptime-boosting features. Enhancements include a variable-speed hydraulic-driven cooling system fan, gold-plated electrical connectors, and

extended service intervals. These, plus traditional Deere durability features such as one-piece unitized mainframes, Dura-Trax™ undercarriage, wet-sleeve engine liners, O-ring face-seal hose couplers, and isolated planetary final drives keep them keeping on. When you know how they're built, you'll run a Deere.



No need for elevated sprockets. Heavy-duty double-reduction planetary final drives are mounted independent of the track frames, where they're effectively protected from shock loads.

One-piece rigid track frames ensure long-term track alignment. Smooth idler-to-sprocket covers shed material buildup for easy clean-out.

Bolt-on wear parts for the chain guides and push-beam mounts virtually eliminate difficult and time-consuming cut-and-weld repairs.



The PAT dozer's closed-cell blade design and box-section C-frame deliver exceptional strength and durability. Outside-mounted dozer push beams are equally durable.



Bypass start protection, automatic park brake, convenient handholds, and slip-resistant steps help keep the operator out of harm's way.

Available extended life tracks deliver twice the bushing life, for extra durability in extremely abrasive conditions. If you're looking to further reduce maintenance and operating costs, the SC-2™ option is for you.

Blade hoses are steel-cable supported and Cordura covered for extra protection.



Perforations act as a “first filter,” preventing entry of most debris. Anything that gets past the five-mm holes also easily passes through the cooler cores.



Unitized mainframe with flush-fit bottom guards combines with tight-fitting side shields to prevent debris from being drawn into the engine compartment.



No stacked coolers in these crawlers. Side-by-side cores with wide fin spacing reduce clogging and are easy to clean.

# Keep your cool and burn less fuel.

J-Series Dozers are designed to run cool regardless of what’s in the air or underfoot. Their highly effective cooling system employs a hydraulic-driven variable-speed suction fan that operates only as needed for maximum power and efficiency.

For work in environments with lots of airborne debris, an optional reversing fan automatically back-blows to help shed debris from cooler cores and side screens. So your 750J or 850J can work long and hard without breaking a sweat.



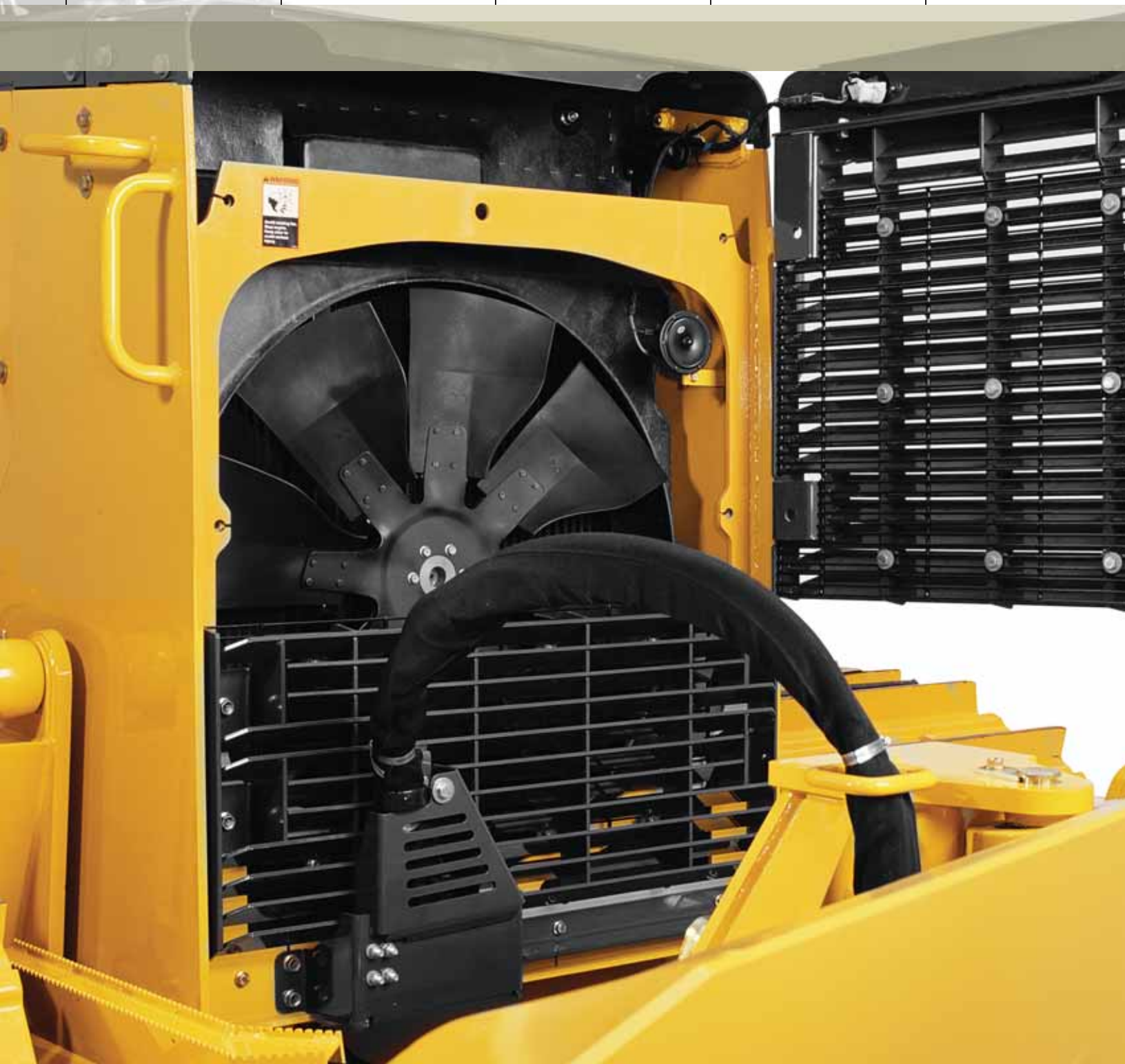
Variable-speed fan automatically speeds up or slows down, operating only as needed to keep things cool. Helps conserve power and fuel, while reducing noise.

Air isn't blown into the coolers, so engine and transmission reach operating temperatures more quickly in cold weather. Warm fluids flow easier, helping extend component life, too.

Programmable fan automatically reverses to help eliminate cooler-clogging buildup. Or press a button on the dash to actuate cleaning cycles as needed.

With the fan positioned just behind the grille, coolers are less vulnerable to damage. Hinged grille opens wide for convenient clean-out.

Suction fan is more efficient than blower designs, eliminating the need for oversize coolers. There's no need for a radiator screen to decrease tube erosion, either.





The J-Series' highly adaptable drivetrain makes them ideal for work with rear-mount attachments such as rippers and cable plows.



Forestry-protection packages and waste-handler configurations help these machines survive and thrive in tough applications.

# Built to do one job extremely well – yours.

Yours isn't just any business. Why settle for just any crawler? Choose a J-Series Dozer in standard, long-track, wide-track, wide-long track, and low ground-pressure configurations with inside-mounted PAT or outside-mounted straight or semi-U blades. What's

more, these highly productive and uniquely versatile machines can be equipped with a variety of special-duty and severe-application packages to help them thrive in a wide variety of work. And tackle tasks that other crawlers can't. Ask your dealer for details.



With optional Integrated Grade Control, wiring harnesses, sensor mounts, control valves, and monitor bracket are factory installed. So adding a Trimble®, TOPCON, or other electronic grade-control system is “plug-and-play” easy.

Choose the blade that’s best for your kind of work. Purpose-built mainframes allow optimized component placement — for uncompromised grading ability, regardless of which configuration you prefer.

#### BLADE CONFIGURATIONS

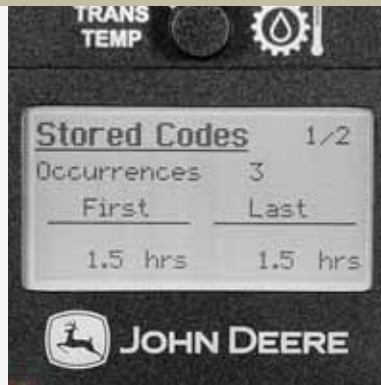
	750J	750J LT	750J LGP		
PAT	•	•	•		
Semi-U	•				
Straight					
	850J	850J LT	850J WT	850J WLT	850J LGP
PAT		•		•	•
Semi-U	•		•		•
Straight					•



# Uncover new ways to keep costs down.



Vertical filters allow quick, no-spill changes. Engine, hydraulics, and transmission utilize a common oil, further simplifying service.



Advanced in-cab monitor gives easy-to-understand messages for quick and easy troubleshooting without special tools.



Operator station tilts a full 70 degrees in only minutes, for wide-open access to internal components. Unlike other crawlers, there's no need to disconnect linkages, hydraulics, or wiring.

Swing open their hinged doors and you'll uncover lots of the ways these crawlers help keep maintenance to a minimum. Same-side daily service points make quick work of the daily routine, and extended engine oil and

drivetrain service intervals let you work longer between changes. Other timesaving features include an easy-to-clean undercarriage, quick-to-replace hydraulic hoses, and designed-in diagnostics, to list just a few.



Separate hydraulic and hydrostatic reservoirs eliminate any possibility of cross-contamination. Sight gauges give fluid levels at a glance.

Hinged side shields open wide for ground-level access to dipsticks, fill tubes, batteries, master electrical shutoff, and engine, transmission, and hydraulic filters.



Fluid sample ports and remote drive system test ports simplify preventative maintenance work and troubleshooting for increased uptime.

Remote lube banks provide easy access to difficult-to-reach crossbar and C-frame pivots. Convenient lube chart ensures that nothing gets overlooked.

Five-hundred-hour engine oil and 2,000-hour transmission and hydraulic fluid intervals decrease downtime and expense.

# Specifications

Engine	750J	750J LT	750J LGP
Manufacturer and Model	John Deere PowerTech™ 6068H	John Deere PowerTech 6068H	John Deere PowerTech 6068H
Non-Road Emission Standards	certified to EPA Tier 3 emissions	certified to EPA Tier 3 emissions	certified to EPA Tier 3 emissions
Cylinders	6	6	6
Displacement	414 cu. in. (6.8 L)	414 cu. in. (6.8 L)	414 cu. in. (6.8 L)
Net Peak Power (ISO9249)	145 hp (108 kW) @ 2,100 rpm	145 hp (108 kW) @ 2,100 rpm	155 hp (116 kW) @ 2,100 rpm
Net Peak Torque (ISO9249)	494 lb.-ft. (670 Nm) @ 1,400 rpm	494 lb.-ft. (670 Nm) @ 1,400 rpm	548 lb.-ft. (742 Nm) @ 1,400 rpm
Aspiration	turbocharger	air-to-air aftercooler	air-to-air aftercooler
Air Cleaner	dual-stage dry type with safety element, pre-cleaner, and underhood restriction indicator	dual-stage dry type with safety element, pre-cleaner, and underhood restriction indicator	dual-stage dry type with safety element, pre-cleaner, and underhood restriction indicator
Slope Operation (maximum angle)	45 deg.	45 deg.	45 deg.

Cooling	750J / 750J LT / 750J LGP
Variable-speed suction fan	
Engine Coolant Rating	-34 deg. F (-37 deg. C)

Powertrain	
<b>Transmission</b>	automatic, dual-path, hydrostatic drive; load-sensing feature automatically adjusts speed and power to match changing load conditions; each individually controlled track is powered by a variable-displacement piston pump and motor combination; ground-speed selection buttons on single-lever steering and direction control; independently selectable reverse speed ratios 80%, 100%, 115%, or 130% of forward ground speed; decelerator pedal controls ground speed to stop
System Relief Pressure	6,650 psi (45 850 kPa)
Travel Speeds	
Forward and Reverse	6.3 mph (10.1 km/h)
Maximum (optional)	6.8 mph (10.9 km/h)
<b>Steering</b>	single-lever steering, speed, direction control, and counterrotation; full power turns and infinitely variable track speeds provide unlimited maneuverability and optimum control; hydrostatic steering eliminates steering clutches and brakes
<b>Final Drives</b>	double-reduction, planetary final drives transfer torque loads over three gear sets; mounted independently of track frames and dozer push frames for isolation from shock loads
Total Ratio	46.4056 to 1
Drawbar Pull	
Maximum	55,000 lb. (244.6 kN)
@ 1.2 mph (1.9 km/h)	33,000 lb. (146.8 kN)
@ 2.0 mph (3.2 km/h)	22,000 lb. (97.9 kN)
<b>Brakes</b>	decelerator/brake pedal; automatic power management with manual override for matching ground speed
<b>Service Brakes</b>	hydrostatic (dynamic) braking stops machine when the direction/steering control lever is moved to neutral or the decelerator is depressed to the end of travel
Type	hydraulic
<b>Parking Brakes</b>	exclusive park brake feature engages wet, multiple-disc brakes whenever the engine stops, whenever the combined decelerator/brake pedal is fully depressed, whenever the unit is in neutral for three seconds (with detected motion), or whenever the park lock lever is in the park position; machine cannot be driven with brake applied, reducing wear-out or need for adjustments; spring-applied, hydraulic release

Hydraulics	750J	750J LT	750J LGP
Load sense, piston pump			
Blade Type	PAT	Outside dozer	PAT
Pump (63 cc)	38 gpm (144 L/m)	38 gpm (144 L/m)	38 gpm (144 L/m)
System Relief Pressure	3,625 psi (24 993 kPa)	3,625 psi (24 993 kPa)	3,625 psi (24 993 kPa)
Differential Pressure	275 psi (1896 kPa)	275 psi (1896 kPa)	275 psi (1896 kPa)
Maximum Flow @ Unloaded High Idle	37 gpm (140 L/m)	37 gpm (140 L/m)	37 gpm (140 L/m)
Control	T-bar hydraulic-pilot two-function joystick with push-button angle function	T-bar hydraulic-pilot two-function joystick	T-bar hydraulic-pilot two-function joystick with push-button angle function
Cooling	convective oil sump	convective oil sump	convective oil sump



**Cylinders****750J / 750J LT / 750J LGP**

Heat-treated, chrome-plated, polished cylinder rods, hardened steel (replaceable bushings) pivot pins

**Electrical**

Voltage	24 volt
Battery Capacity	950 CCA
Reserve Capacity	190 min.
Alternator Rating	
Cab.	80 amp
Canopy	55 amp
Lights	3 total: grille mounted (2) and rear mounted (1), and rear reflectors (2)

**Undercarriage****750J****750J LT****750J LGP**

<b>Tracks</b>	track frame with front and rear track guides and sprocket guard; John Deere Dura-Trax™ features deep-heat-treated, sealed, and lubricated track links and through-hardened, sealed, and lubricated rollers for maximum wear resistance; sprockets are segmented; extreme-duty shoes are available (on some models) for severe applications			
Blade Type	PAT	<i>Outside dozer</i>	PAT	PAT
Track Gauge (standard)	6 ft. 2 in. (1880 mm)	6 ft. 2 in. (1880 mm)	6 ft. 2 in. (1880 mm)	7 ft. 0 in. (2134 mm)
Grouser Width (closed center, single bar)	22 in. (559 mm)	22 in. (559 mm)	22 in. (559 mm)	34 in. (864 mm)
Chain	sealed and lubricated	sealed and lubricated	sealed and lubricated	sealed and lubricated
Shoes (each side)	40	40	45	45
Track Rollers (single flange, each side)	7	7	8	8
Track Length on Ground	8 ft. 6 in. (2591 mm)	8 ft. 6 in. (2591 mm)	10 ft. 1 in. (3073 mm)	10 ft. 1 in. (3073 mm)
Ground Contact Area	4,488 sq. in. (28 955 cm <sup>2</sup> )	4,488 sq. in. (28 955 cm <sup>2</sup> )	5,324 sq. in. (34 348 cm <sup>2</sup> )	8,228 sq. in. (53 084 cm <sup>2</sup> )
Ground Pressure	7.24 psi (49.9 kPa)	7.53 psi (51.9 kPa)	6.45 psi (44.5 kPa)	4.45 psi (30.7 kPa)
Track Pitch	7.5 in. (191 mm)	7.5 in. (191 mm)	7.5 in. (191 mm)	7.5 in. (191 mm)
Oscillation at Front Roller	±4.3 in. (±110 mm)	±4.3 in. (±110 mm)	±5.3 in. (±135 mm)	±5.0 in. (±127 mm)

**Serviceability****Refill Capacities**

Blade Type	PAT	<i>Outside dozer</i>	PAT	PAT
Fuel Tank with Lockable Cap	98 gal. (371 L)	98 gal. (371 L)	98 gal. (371 L)	98 gal. (371 L)
Cooling System with Recovery Tank	5.7 gal. (21.6 L)	5.7 gal. (21.6 L)	5.7 gal. (21.6 L)	5.7 gal. (21.6 L)
Engine Oil with Filter	7.0 gal. (26.5 L)	7.0 gal. (26.5 L)	7.0 gal. (26.5 L)	7.0 gal. (26.5 L)
Transmission Reservoir with Filter	28 gal. (105.6 L)	28 gal. (105.6 L)	27.9 gal. (105.6 L)	28 gal. (106 L)
Hydraulic Reservoir and Filter	28 gal. (105.6 L)	28 gal. (105.6 L)	27.9 gal. (105.6 L)	28 gal. (106 L)

**Operating Weights**

Base weights were computed for units with standard equipment, rollover protective structures, full fuel tanks, and 175-lb. (79 kg) operators.

Blade Type	PAT	<i>Outside dozer</i>	PAT	PAT
Base Weight	32,585 lb. (14 778 kg)	33,865 lb. (15 358 kg)	34,395 lb. (15 599 kg)	36,725 lb. (16 655 kg)

Refer to the Attachment Guide or see your dealer for details regarding Mechanical Angle blades for the 750J LT.

**Blade, C-Frame, and Push-Beam Weights**

Includes straight end bits.

Blade Type	PAT	<i>Outside dozer</i>	PAT	PAT
PAT	2,066 lb. (937 kg)*	N/A	2,066 lb. (937 kg)*	2,383 lb. (1081 kg)*
Semi-U	N/A	2,564 lb. (1163 kg)*	N/A	N/A
Straight	N/A	N/A	N/A	N/A
Push Beam Assemblies for Straight or Semi-U Blades (without blade)	N/A	3,242 lb. (1470 kg)*	N/A	N/A
PAT Dozer C-Frame Assemblies In- cluding Cylinder (without blade)	2,829 lb. (1283 kg)*	N/A	2,905 lb. (1318 kg)*	2,905 lb. (1318 kg)*

\*Included in SAE operating weight.

Refer to the Attachment Guide or see your dealer for details regarding Mechanical Angle blades for the 750J LT.

**Blade Capacities**

Blade Type	PAT	<i>Outside dozer</i>	PAT	PAT
PAT	130 in. (3295 mm) 4.23 cu. yd. (3.23 m <sup>3</sup> )	N/A	130 in. (3295 mm) 4.23 cu. yd. (3.23 m <sup>3</sup> )	156 in. (3962 mm) 4.98 cu. yd. (3.81 m <sup>3</sup> )
Semi-U	N/A	128 in. (3251 mm) 5.58 cu. yd. (4.27 m <sup>3</sup> )	N/A	N/A
Straight	N/A	N/A	N/A	N/A

Refer to the Attachment Guide or see your dealer for details regarding Mechanical Angle blades for the 750J LT.

Optional or Special Equipment	750J	750J LT	750J LGP
Blade Type	PAT	Outside dozer	PAT
Tracks – Dura-Trax™ Lubricated Chain with Split Master Link, Single-Bar Grousers, and Extended Life Undercarriage			
22-in. (560 mm) Moderate Duty	in base*	in base*	in base*
22-in. (560 mm) Extreme Duty	263 lb. (119 kg)	263 lb. (119 kg)	296 lb. (134 kg)
24-in. (610 mm) Moderate Duty	275 lb. (125 kg)	275 lb. (125 kg)	309 lb. (140 kg)
24-in. (610 mm) Extreme Duty	566 lb. (257 kg)	566 lb. (257 kg)	637 lb. (289 kg)
28-in. (710 mm) Moderate Duty	N/A	N/A	N/A
34-in. (865 mm) Moderate Duty	N/A	N/A	N/A
Cab with Pressurizer and Heater/			
Air Conditioner	743 lb. (337 kg)	743 lb. (337 kg)	743 lb. (337 kg)
Heater (ROPS canopy)	85 lb. (39 kg)	85 lb. (39 kg)	85 lb. (39 kg)
Full-Length Rock Guard	384 lb. (174 kg)	384 lb. (174 kg)	340 lb. (154 kg)
Final Drive Seal Guard	155 lb. (70 kg)	155 lb. (70 kg)	155 lb. (70 kg)
Retrieval Hitch*	81 lb. (37 kg)	81 lb. (37 kg)	81 lb. (37 kg)
Drawbar, Extended Rigid	286 lb. (130 kg)	286 lb. (130 kg)	286 lb. (130 kg)
Heavy-Duty Grille	62 lb. (28 kg)	62 lb. (28 kg)	62 lb. (28 kg)
Front and Door Screens			
ROPS Canopy	186 lb. (84 kg)	186 lb. (84 kg)	186 lb. (84 kg)
Cab with Air Conditioner	175 lb. (79 kg)	175 lb. (79 kg)	175 lb. (79 kg)
Rear Screen			
ROPS Canopy	50 lb. (23 kg)	50 lb. (23 kg)	50 lb. (23 kg)
Cab with Air Conditioner	75 lb. (34 kg)	75 lb. (34 kg)	75 lb. (34 kg)
Side Screens			
ROPS Canopy	98 lb. (44 kg)	98 lb. (44 kg)	98 lb. (44 kg)
Cab with Air Conditioner	120 lb. (54 kg)	120 lb. (54 kg)	120 lb. (54 kg)
Condenser Guard (cab with air conditioner)	121 lb. (55 kg)	121 lb. (55 kg)	121 lb. (55 kg)
Limb Risers (ROPS canopy and cab)	575 lb. (261 kg)	575 lb. (261 kg)	575 lb. (261 kg)
Lift-Cylinder Guards	93 lb. (42 kg)	170 lb. (77 kg)	93 lb. (42 kg)
Blade Brush Guard	192 lb. (87 kg)	192 lb. (87 kg)	192 lb. (87 kg)
Tank Guard	712 lb. (323 kg)	712 lb. (323 kg)	712 lb. (323 kg)
Counterweight			
Front	550 lb. (249 kg)	550 lb. (249 kg)	550 lb. (249 kg)
Rear	720 lb. (326 kg)	720 lb. (326 kg)	720 lb. (326 kg)

\*Included in SAE operating weight.

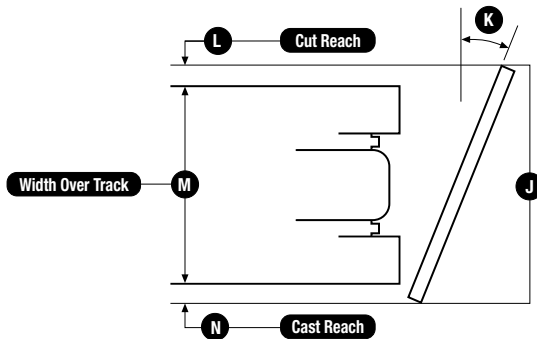
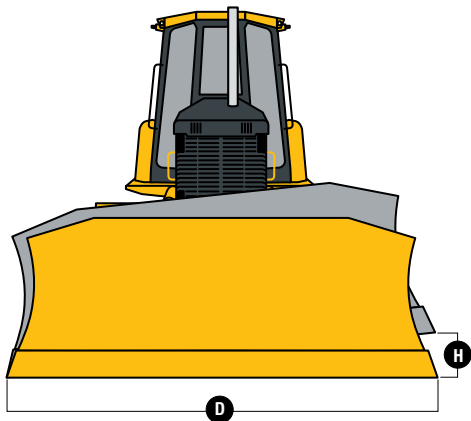
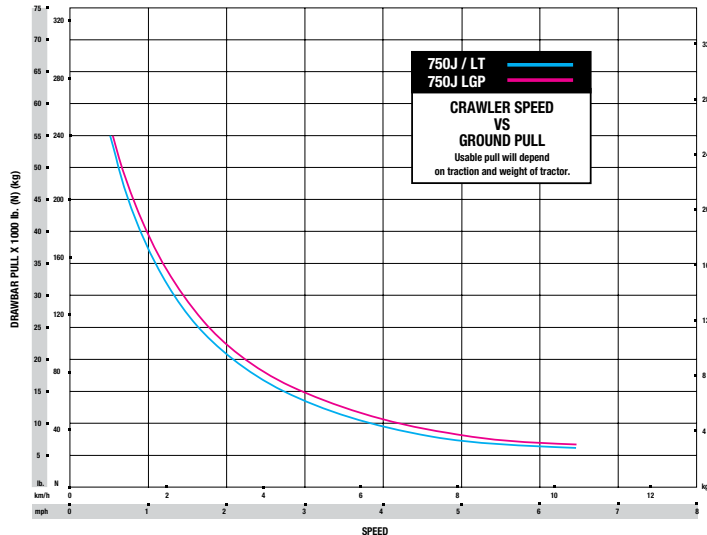
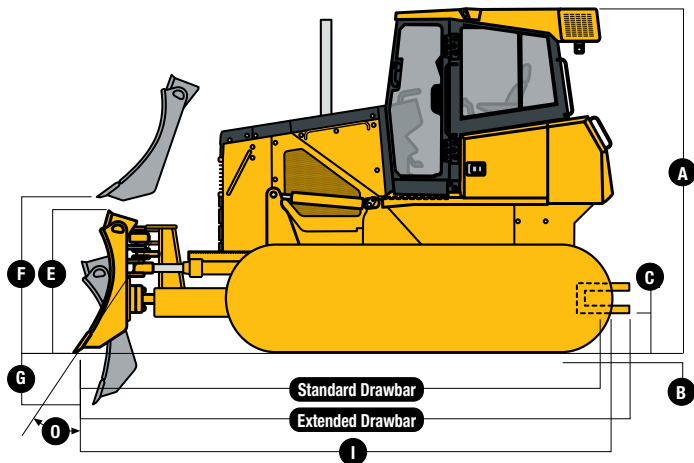
### Machine Dimensions

	PAT	Outside dozer	PAT	PAT
Blade Type	PAT	Outside dozer	PAT	PAT
<b>A</b> Overall Height to Roof	10 ft. 2 in. (3095 mm)	10 ft. 2 in. (3095 mm)	10 ft. 2 in. (3095 mm)	10 ft. 2 in. (3095 mm)
Overall Height to Exhaust Stack	9 ft. 11 in. (3020 mm)	9 ft. 11 in. (3020 mm)	9 ft. 11 in. (3020 mm)	9 ft. 11 in. (3020 mm)
<b>B</b> Tread Depth with Single-Bar Grouser				
Moderate Duty	2.2 in. (56 mm)	2.2 in. (56 mm)	2.2 in. (56 mm)	2.2 in. (56 mm)
Extreme Duty	2.7 in. (68 mm)	2.7 in. (68 mm)	2.7 in. (68 mm)	2.7 in. (68 mm)
<b>C</b> Ground Clearance with Grousers (excludes grouser height)	14 in. (356.9 mm)	14 in. (356.9 mm)	14 in. (356.9 mm)	14 in. (356.9 mm)
<b>D</b> Blade Width	10 ft. 9.75 in. (3296 mm)	10 ft. 8 in. (3251 mm)	10 ft. 9.75 in. (3296 mm)	13 ft. 0 in. (3962 mm)
<b>E</b> Blade Height	3 ft. 11 in. (1194 mm)	4 ft. 0.8 in. (1240 mm)	3 ft. 11 in. (1194 mm)	3 ft. 10.1 in. (1170 mm)
<b>F</b> Blade Lift Height	3 ft. 2.5 in. (979 mm)	3 ft. 5.3 in. (1050 mm)	3 ft. 4.3 in. (1025 mm)	3 ft. 4.3 in. (1025 mm)
<b>G</b> Blade Digging Depth	24.4 in. (620 mm)	22.6 in. (575 mm)	25.6 in. (650 mm)	25.6 in. (650 mm)
<b>H</b> Blade Tilt (uses tilt jack)	17.2 in. (437 mm)	28.4 in. (722 mm)	17.2 in. (437 mm)	20.6 in. (524 mm)
<b>I</b> Overall Length with Blade*	16 ft. 4.5 in. (4990 mm)	17 ft. 1 in. (5205 mm)	17 ft. 4.5 in. (5300 mm)	17 ft. 4.5 in. (5300 mm)

\*Optional extended drawbar adds 11 in. (279.5 mm).

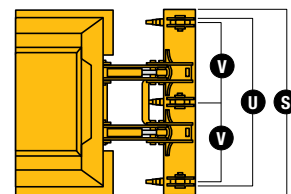
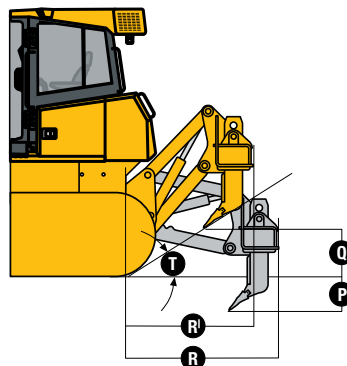


Machine Dimensions (continued)	750J	750J LT	750J LGP
Blade Type	PAT	Outside dozer	PAT
J Overall Width with Blade Angled	9 ft. 10.9 in. (3020 mm)	N/A	11 ft. 10.9 in. (3631 mm)
K Blade Angle	23.5 deg.	N/A	23.5 deg.
L Cut Reach	4.3 in. (108 mm)	N/A	3.3 in. (84 mm)
M Width Over Track	8 ft. 0 in. (2438 mm)	8 ft. 0 in. (2438 mm)	9 ft. 10 in. (2997 mm)
N Cast Reach	8.8 in. (224 mm)	N/A	11.7 in. (297 mm)
O Cutting Edge Angle	55.2–60.1 deg.	50.5–60.0 deg.	55.2–60.1 deg.



### Rear Ripper 750J / 750J LT / 750J LGP

Multi-shank (3) parallelogram ripper with hydraulic pitch adjustment and ESCO ripper tips	
Weight	3,725 lb. (1690 kg)
P Maximum Penetration	27 in. (686 mm)
Q Maximum Clearance Under Tip	27 in. (686 mm)
R Overall Length (lowered position)	5 ft. 7 in. (1689 mm)
R Overall Length (raised position)	4 ft. 9 in. (1448 mm)
S Overall Beam Width	7 ft. 0 in. (2134 mm)
T Slope Angle (full raise)	22 deg.
U Ripping Width	6 ft. 2 in. (1880 mm)
V Distance Between Shanks	35.5 in. (902 mm)



# Specifications



Engine	850J / 850J LT / 850J WT / 850J WLT		850J LGP	
	<i>For use in U.S., Canada, and Europe</i>	<i>For use outside U.S., Canada, and Europe</i>	<i>For use in U.S., Canada, and Europe</i>	<i>For use outside U.S., Canada, and Europe</i>
Manufacturer and Model	John Deere PowerTech™ Plus 6090HT	John Deere PowerTech 6081	John Deere PowerTech Plus 6090HT	John Deere PowerTech 6081
Non-Road Emissions Standards	EPA Tier 3 / EU Stage IIIA	EPA Tier 2 / EU Stage II	EPA Tier 3 / EU Stage IIIA	EPA Tier 2 / EU Stage II
Cylinders	6	6	6	6
Displacement	550 cu. in. (9.0 L)	496 cu. in. (8.1 L)	550 cu. in. (9.0 L)	496 cu. in. (8.1 L)
Net Peak Power (ISO9249)	185 hp (137 kW) @ 1,800 rpm	185 hp (137 kW) @ 1,800 rpm	200 hp (152 kW) @ 1,800 rpm	200 hp (151 kW) @ 1,800 rpm
Net Peak Torque (ISO9249)	611 lb.-ft. (828 Nm) @ 1,500 rpm	590 lb.-ft. (800 Nm) @ 1,400 rpm	675 lb.-ft. (915 Nm) @ 1,500 rpm	650 lb.-ft. (880 Nm) @ 1,400 rpm
Aspiration	turbocharger and air-to-air aftercooler	turbocharger and air-to-air aftercooler	turbocharger and air-to-air aftercooler	turbocharger and air-to-air aftercooler
Air Cleaner	dual-stage dry type with tangential unloader	dual-stage dry type with tangential unloader	dual-stage dry type with tangential unloader	dual-stage dry type with tangential unloader
Slope Operation (maximum angle)	45 deg.	45 deg.	45 deg.	45 deg.

Cooling	850J / 850J LT / 850J WT / 850J WLT / 850J LGP				
Variable-speed suction fan					
Engine Coolant Rating	-34 deg. F (-37 deg. C)				

Powertrain	850J	850J LT	850J WT	850J WLT	850J LGP
<b>Transmission</b>	automatic, dual-path, hydrostatic drive; load-sensing feature automatically adjusts speed and power to match changing load conditions; each individually controlled track is powered by a variable-displacement piston pump and motor combination; ground-speed selection buttons on single-lever steering and direction control; independently selectable reverse speed ratios 80%, 100%, 115%, or 130% of forward ground speed; decelerator pedal controls ground speed to stop				
System Relief Pressure	6,650 psi (45 850 kPa)				
Travel Speeds					
Forward and Reverse	6.3 mph (10.1 km/h)				
Maximum (optional)	6.8 mph (10.9 km/h)				
<b>Steering</b>	single-lever steering, speed, direction control, and counterrotation; full power turns and infinitely variable track speeds provide unlimited maneuverability and optimum control; hydrostatic steering eliminates steering clutches and brakes				
<b>Final Drives</b>	double-reduction, planetary final drives transfer torque loads over three gear sets; mounted independently of track frames and dozer push frames for isolation from shock loads				double-reduction (spur gear set and planetary) transfer shock loads; mounted independently of track frames and dozer push frames for isolation from shock loads
Total Ratio	44.7483 to 1				
Drawbar Pull					
Maximum	77,300 lb. (344 kN)				77,300 lb. (344 kN)
@ 1.2 mph (1.9 km/h)	37,500 lb. (167 kN)				40,000 lb. (178 kN)
@ 2.0 mph (3.2 km/h)	27,000 lb. (120 kN)				29,500 lb. (131 kN)
<b>Brakes</b>	decelerator/brake pedal; automatic power management with manual override for matching ground speed				
<b>Service Brakes</b>	hydrostatic (dynamic) braking stops machine when the direction/steering control lever is moved to neutral or the decelerator is depressed to the end of travel				
Type	hydraulic				
<b>Parking Brakes</b>	exclusive safety feature engages wet, multiple-disc brakes whenever the engine stops, whenever the decelerator is depressed to the end of travel, or whenever the park lock lever is placed in the start or neutral position and motion is detected; machine cannot be driven with brake applied, reducing wear-out or need for adjustment; spring-applied, hydraulic release				

Hydraulics	850J		850J LT		850J WT		850J WLT		850J LGP	
Load sense, piston pump										
Blade Type	<i>Outside dozer</i>									
Pump (74 cc)	46 gpm (174 L/m)		PAT		46 gpm (174 L/m)		PAT		46 gpm (174 L/m)	
System Relief Pressure	3,625 psi (24 993 kPa)		3,625 psi (24 993 kPa)		3,625 psi (24 993 kPa)		3,625 psi (24 993 kPa)		3,625 psi (24 993 kPa)	
Differential Pressure	275 psi (1896 kPa)		275 psi (1896 kPa)		275 psi (1896 kPa)		275 psi (1896 kPa)		275 psi (1896 kPa)	
Maximum Flow @ Unloaded High Idle	43 gpm (163 L/m)		43 gpm (163 L/m)		43 gpm (163 L/m)		43 gpm (163 L/m)		43 gpm (163 L/m)	
Control	T-bar hydraulic-pilot two-function joystick		T-bar hydraulic-pilot two-function joystick with push-button angle function		T-bar hydraulic-pilot two-function joystick		T-bar hydraulic-pilot two-function joystick with push-button angle function		T-bar hydraulic-pilot two-function joystick with push-button angle function	
Cooling	convective oil sump		convective oil sump		convective oil sump		convective oil sump		convective oil sump	



**Cylinders 850J / 850J LT / 850J WT / 850J WLT / 850J LGP**

Heat-treated, chrome-plated, polished cylinder rods, hardened steel (replaceable bushings) pivot pins

**Electrical**

Voltage	24 volt
Battery Capacity	950 CCA
Reserve Capacity	190 min.
Alternator Rating	
Cab	80 amp
Canopy	55 amp
Lights	3 total: grille mounted (2) and rear mounted (1), and rear reflectors (2)

<b>Undercarriage</b>	<b>850J</b>	<b>850J LT</b>	<b>850J WT</b>	<b>850J WLT</b>	<b>850J LGP</b>
<b>Tracks</b>	track frame with front and rear track guides and sprocket guard; John Deere Dura-Trax™ features deep-heat-treated, sealed, and lubricated track links and through-hardened, sealed, and lubricated rollers for maximum wear resistance; sprockets are segmented; extreme-duty shoes are available (on some models) for severe applications				
Blade Type	<i>Outside dozer</i>	<i>PAT</i>	<i>Outside dozer</i>	<i>PAT</i>	<i>PAT</i> <i>Outside dozer</i>
Track Gauge (standard)	6 ft. 2 in. (1880 mm)	6 ft. 10 in. (2083 mm)	6 ft. 8 in. (2032 mm)	7 ft. 4 in. (2235 mm)	7 ft. 10 in. (2388 mm)      7 ft. 2 in. (2184 mm)
Grouser Width (closed center, single bar)	24 in. (610 mm)	24 in. (610 mm)	30 in. (762 mm)	30 in. (762 mm)	36 in. (914 mm)      36 in. (914 mm)
Chain	sealed and lubricated	sealed and lubricated	sealed and lubricated	sealed and lubricated	sealed and lubricated      sealed and lubricated
Shoes (each side)	40	45	40	45	45      45
Track Rollers (single flange, each side)	7	8	7	8	8      8
Track Length on Ground	9 ft. 1 in. (2769 mm)	10 ft. 9 in. (3284 mm)	9 ft. 1 in. (2769 mm)	10 ft. 9 in. (3284 mm)	10 ft. 9 in. (3284 mm)      10 ft. 9 in. (3284 mm)
Ground Contact Area	5,232 sq. in. (33 755 cm <sup>2</sup> )	6,206 sq. in. (40 039 cm <sup>2</sup> )	6,540 sq. in. (42 193 cm <sup>2</sup> )	7,758 sq. in. (50 052 cm <sup>2</sup> )	9,310 sq. in. (60 064 cm <sup>2</sup> )      9,310 sq. in. (60 064 cm <sup>2</sup> )
Ground Pressure	7.61 psi (52.5 kPa)	6.87 psi (47.4 kPa)	6.26 psi (43.2 kPa)	5.65 psi (39.0 kPa)	4.83 psi (33.3 kPa)      4.80 psi (33.1 kPa)
Track Pitch	8 in. (203 mm)	8 in. (203 mm)	8 in. (203 mm)	8 in. (203 mm)	8 in. (203 mm)      8 in. (203 mm)
Oscillation at Front Roller	±4.5 in. (±114 mm)	±6.6 in. (±168 mm)	±4.5 in. (±114 mm)	±6.5 in. (±166.5 mm)	±6.6 in. (±168 mm)      ±6.6 in. (±168 mm)

**Serviceability**

**Refill Capacities**

Blade Type	<i>Outside dozer</i>	<i>PAT</i>	<i>Outside dozer</i>	<i>PAT</i>	<i>PAT</i>	<i>Outside dozer</i>
Fuel Tank with Lockable Cap	98 gal. (371 L)	98 gal. (371 L)	98 gal. (371 L)	98 gal. (371 L)	98 gal. (371 L)	98 gal. (371 L)
Cooling System with Recovery Tank	9.2 gal. (35 L)	9.2 gal. (35 L)	9.2 gal. (35 L)	9.2 gal. (35 L)	9.2 gal. (35 L)	9.2 gal. (35 L)
Engine Oil with Filter	7 gal. (26 L)	7 gal. (26 L)	7 gal. (26 L)	7 gal. (26 L)	7 gal. (26 L)	7 gal. (26 L)
Transmission Reservoir with Filter	28 gal. (106 L)	28 gal. (106 L)	28 gal. (106 L)	28 gal. (106 L)	28 gal. (106 L)	28 gal. (106 L)
Hydraulic Reservoir and Filter	28 gal. (106 L)	28 gal. (106 L)	28 gal. (106 L)	28 gal. (106 L)	28 gal. (106 L)	28 gal. (106 L)

**Operating Weights**

Base weights were computed for units with standard equipment, rollover protective structures, full fuel tanks, and 175-lb. (79 kg) operators.

Blade Type	<i>Outside dozer</i>	<i>PAT</i>	<i>Outside dozer</i>	<i>PAT</i>	<i>PAT</i>	<i>Outside dozer</i>
Base Weight	40,165 lb. (18 220 kg)	43,015 lb. (19 510 kg)	41,285 lb. (18 725 kg)	44,225 lb. (20 060 kg)	45,375 lb. (20 580 kg)	45,075 lb. (20 445 kg)

Refer to the Attachment Guide or see your dealer for details regarding Mechanical Angle blades for the 850J LT.

**Blade, C-Frame, and Push-Beam Weights**

Includes straight end bits.

Blade Type	<i>Outside dozer</i>	<i>PAT</i>	<i>Outside dozer</i>	<i>PAT</i>	<i>PAT</i>	<i>Outside dozer</i>
PAT	N/A	2,758 lb. (1251 kg)*	N/A	2,932 lb. (1330 kg)*	3,080 lb. (1397 kg)*	N/A
Semi-U	2,923 lb. (1326 kg)*	N/A	3,110 lb. (1411 kg)*	N/A	N/A	3,225 lb. (1463 kg)*
Straight	N/A	N/A	N/A	N/A	N/A	2,846 lb. (1291 kg)
Push Beam Assemblies for Straight or Semi-U Blades (without blade)	3,687 lb. (1672 kg)*	N/A	3,757 lb. (1704 kg)*	N/A	N/A	4,196 lb. (1903 kg)
PAT Dozer C-Frame Assemblies Including Cylinder (without blade)	N/A	3,631 lb. (1647 kg)*	N/A	3,631 lb. (1647 kg)*	3,631 lb. (1647 kg)*	N/A

\*Included in SAE operating weight.

Refer to the Attachment Guide or see your dealer for details regarding Mechanical Angle blades for the 850J LT.

**Blade Capacities**

Blade Type	<i>Outside dozer</i>	<i>PAT</i>	<i>Outside dozer</i>	<i>PAT</i>	<i>PAT</i>	<i>Outside dozer</i>
PAT	N/A	146 in. (3708 mm) 5.15 cu. yd. (3.94 m <sup>3</sup> )	N/A	158 in. (4013 mm) 5.57 cu. yd. (4.26 m <sup>3</sup> )	168 in. (4267 mm) 5.87 cu. yd. (4.49 m <sup>3</sup> )	N/A
Semi-U	128 in. (3251 mm) 7.29 cu. yd. (5.57 m <sup>3</sup> )	N/A	140 in. (3556 mm) 7.62 cu. yd. (5.82 m <sup>3</sup> )	N/A	N/A	152 in. (3861 mm) 7.80 cu. yd. (5.96 m <sup>3</sup> )
Straight	N/A	N/A	N/A	N/A	N/A	154 in. (3912 mm) 5.35 cu. yd. (4.09 m <sup>3</sup> )

Refer to the Attachment Guide or see your dealer for details regarding Mechanical Angle blades for the 850J LT.

Optional or Special Equipment	850J	850J LT	850J WT	850J WLT	850J LGP	
Blade Type	<i>Outside dozer</i>	<i>PAT</i>	<i>Outside dozer</i>	<i>PAT</i>	<i>PAT</i>	<i>Outside dozer</i>
Tracks – Dura-Trax™ Lubricated						
Chain with Split Master Link, Single-Bar Grousers, and Extended Life Undercarriage						
22-in. (560 mm) Extreme Duty . . .	341 lb. (155 kg)	384 lb. (174 kg)	– 482 lb. (– 219 kg)	N/A	N/A	N/A
24-in. (610 mm) Moderate Duty . . .	in base*	in base*	– 823 lb. (– 374 kg)	N/A	– 1,868 lb. (– 847 kg)	– 1,868 lb. (– 847 kg)
24-in. (610 mm) Extreme Duty . . .	676 lb. (307 kg)	760 lb. (345 kg)	– 148 lb. (– 67 kg)	N/A	– 1,108 lb. (– 503 kg)	– 1,108 lb. (– 503 kg)
30-in. (760 mm) Moderate Duty . . .	N/A	N/A	in base*	in base*	– 942 lb. (– 427 kg)	N/A
30-in. (760 mm) Extreme Duty . . .	N/A	N/A	855 lb. (388 kg)	961 lb. (436 kg)	20 lb. (9 kg)	N/A
36-in. (910 mm) Moderate Duty . . .	N/A	N/A	N/A	N/A	in base*	in base*
36-in. (910 mm) Extreme Duty . . .	N/A	N/A	N/A	N/A	1,153 lb. (523 kg)	1,153 lb. (523 kg)
Cab with Pressurizer and Heater/Air						
Conditioner . . . . .	743 lb. (337 kg)	743 lb. (337 kg)	743 lb. (337 kg)	743 lb. (337 kg)	743 lb. (337 kg)	743 lb. (337 kg)
Heater (ROPS canopy) . . . . .	85 lb. (39 kg)	85 lb. (39 kg)	85 lb. (39 kg)	85 lb. (39 kg)	85 lb. (39 kg)	85 lb. (39 kg)
Full-Length Rock Guard . . . . .	534 lb. (224 kg)	490 lb. (222 kg)	534 lb. (224 kg)	490 lb. (222 kg)	490 lb. (222 kg)	490 lb. (222 kg)
Final Drive Seal Guard . . . . .	155 lb. (70 kg)	155 lb. (70 kg)	155 lb. (70 kg)	155 lb. (70 kg)	155 lb. (70 kg)	155 lb. (70 kg)
Retrieval Hitch* . . . . .	114 lb. (52 kg)	114 lb. (52 kg)	114 lb. (52 kg)	114 lb. (52 kg)	114 lb. (52 kg)	114 lb. (52 kg)
Drawbar, Extended Rigid . . . . .	286 lb. (130 kg)	286 lb. (130 kg)	286 lb. (130 kg)	286 lb. (130 kg)	286 lb. (130 kg)	286 lb. (130 kg)
Heavy-Duty Grille . . . . .	86 lb. (39 kg)	86 lb. (39 kg)	86 lb. (39 kg)	86 lb. (39 kg)	86 lb. (39 kg)	86 lb. (39 kg)
Front and Door Screens						
ROPS Canopy . . . . .	186 lb. (84 kg)	186 lb. (84 kg)	186 lb. (84 kg)	186 lb. (84 kg)	186 lb. (84 kg)	186 lb. (84 kg)
Cab with Air Conditioner . . . . .	175 lb. (79 kg)	175 lb. (79 kg)	175 lb. (79 kg)	175 lb. (79 kg)	175 lb. (79 kg)	175 lb. (79 kg)
Rear Screen						
ROPS Canopy . . . . .	50 lb. (23 kg)	50 lb. (23 kg)	50 lb. (23 kg)	50 lb. (23 kg)	50 lb. (23 kg)	50 lb. (23 kg)
Cab with Air Conditioner . . . . .	75 lb. (34 kg)	75 lb. (34 kg)	75 lb. (34 kg)	75 lb. (34 kg)	75 lb. (34 kg)	75 lb. (34 kg)
Side Screens						
ROPS canopy . . . . .	98 lb. (44 kg)	98 lb. (44 kg)	98 lb. (44 kg)	98 lb. (44 kg)	98 lb. (44 kg)	98 lb. (44 kg)
Cab with Air Conditioner . . . . .	120 lb. (54 kg)	120 lb. (54 kg)	120 lb. (54 kg)	120 lb. (54 kg)	120 lb. (54 kg)	120 lb. (54 kg)
Condenser Guard (cab with air conditioner) . . . . .	121 lb. (55 kg)	121 lb. (55 kg)	121 lb. (55 kg)	121 lb. (55 kg)	121 lb. (55 kg)	121 lb. (55 kg)
Limb Risers (ROPS canopy and cab) . . . . .	600 lb. (272 kg)	600 lb. (272 kg)	600 lb. (272 kg)	600 lb. (272 kg)	600 lb. (272 kg)	600 lb. (272 kg)
Lift-Cylinder Guards . . . . .	176 lb. (80 kg)	93 lb. (42 kg)	176 lb. (80 kg)	93 lb. (42 kg)	93 lb. (42 kg)	176 lb. (80 kg)
Blade Brush Guard . . . . .	192 lb. (87 kg)	192 lb. (87 kg)	192 lb. (87 kg)	192 lb. (87 kg)	192 lb. (87 kg)	192 lb. (87 kg)
Tank Guard . . . . .	712 lb. (323 kg)	712 lb. (323 kg)	712 lb. (323 kg)	712 lb. (323 kg)	712 lb. (323 kg)	712 lb. (323 kg)
Counterweight						
Front . . . . .	875 lb. (397 kg)	875 lb. (397 kg)	875 lb. (397 kg)	875 lb. (397 kg)	875 lb. (397 kg)	875 lb. (397 kg)
Rear . . . . .	990 lb. (449 kg)	990 lb. (449 kg)	990 lb. (449 kg)	990 lb. (449 kg)	990 lb. (449 kg)	990 lb. (449 kg)

\*Included in SAE operating weight.

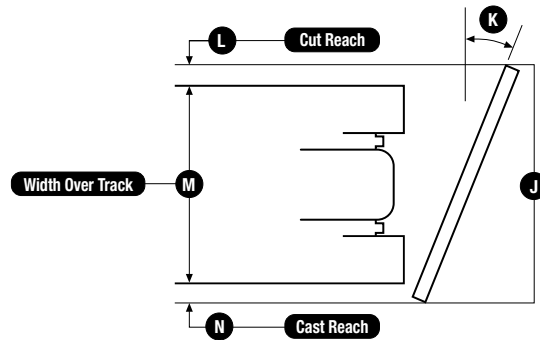
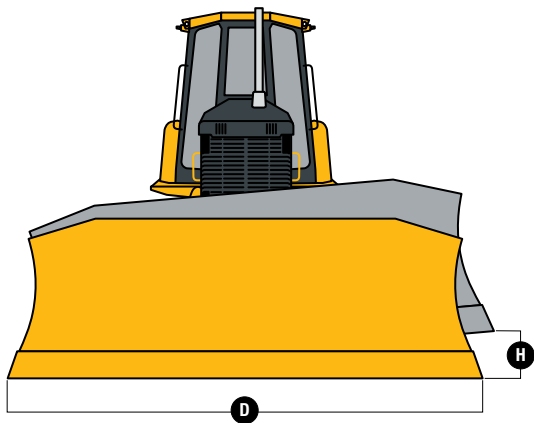
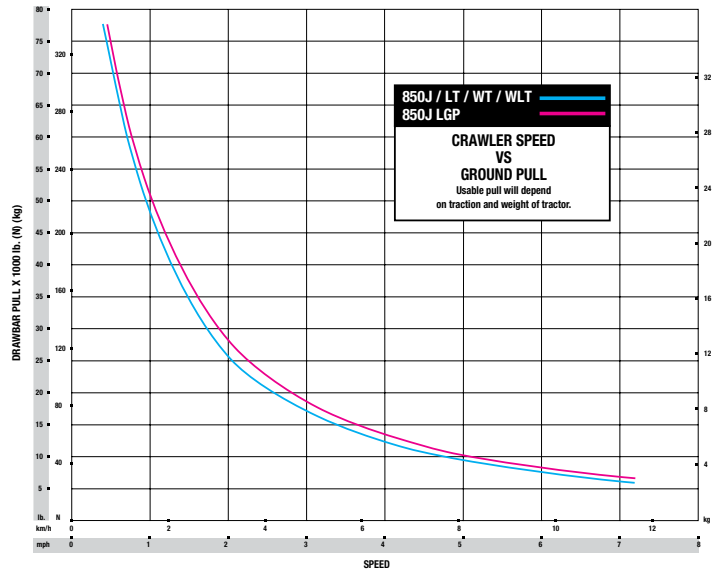
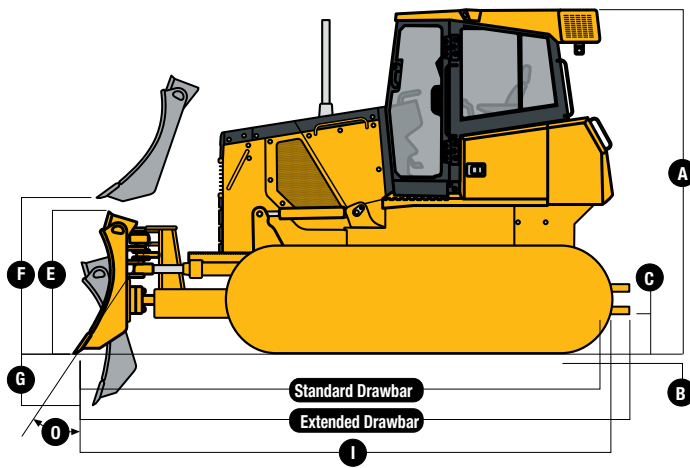
### Machine Dimensions

	850J	850J LT	850J WT	850J WLT	850J LGP	
Blade Type	<i>Outside dozer</i>	<i>PAT</i>	<i>Outside dozer</i>	<i>PAT</i>	<i>PAT</i>	<i>Outside dozer</i>
<b>A</b> Overall Height to Roof . . . . .	10 ft. 5 in. (3180 mm)	10 ft. 5 in. (3180 mm)	10 ft. 5 in. (3180 mm)	10 ft. 5 in. (3180 mm)	10 ft. 5 in. (3180 mm)	10 ft. 5 in. (3180 mm)
Overall Height to Exhaust Stack . . . . .	10 ft. 5.5 in. (3190 mm)	10 ft. 5.5 in. (3190 mm)	10 ft. 5.5 in. (3190 mm)	10 ft. 5.5 in. (3190 mm)	10 ft. 5.5 in. (3190 mm)	10 ft. 5.5 in. (3190 mm)
<b>B</b> Tread Depth with Single-Bar Grouser						
Moderate Duty . . . . .	2.6 in. (65 mm)	2.6 in. (65 mm)	2.6 in. (65 mm)	2.6 in. (65 mm)	2.6 in. (65 mm)	2.6 in. (65 mm)
Extreme Duty . . . . .	2.8 in. (72 mm)	2.8 in. (72 mm)	2.8 in. (72 mm)	2.8 in. (72 mm)	2.8 in. (72 mm)	2.8 in. (72 mm)
<b>C</b> Ground Clearance with Grousers (excludes grouser height) . . . . .	16.1 in. (408.5 mm)	16.1 in. (408.5 mm)	16.1 in. (408.5 mm)	16.1 in. (408.5 mm)	16.1 in. (408.5 mm)	16.1 in. (408.5 mm)
<b>D</b> Blade Width . . . . .	10 ft. 8 in. (3251 mm)	12 ft. 2 in. (3708 mm)	11 ft. 8 in. (3556 mm)	13 ft. 2 in. (4013 mm)	14 ft. 0 in. (4267 mm)	12 ft. 8 in. (3861 mm)
<b>E</b> Blade Height . . . . .	4 ft. 8 in. (1422 mm)	4 ft. 0.4 in. (1230 mm)	4 ft. 6.1 in. (1375 mm)	4 ft. 0.4 in. (1230 mm)	4 ft. 0.4 in. (1230 mm)	4 ft. 4 in. (1320 mm)
<b>F</b> Blade Lift Height . . . . .	3 ft. 9.3 in. (1150 mm)	3 ft. 6.2 in. (1071 mm)	3 ft. 9.3 in. (1150 mm)	3 ft. 6.2 in. (1071 mm)	3 ft. 6.2 in. (1071 mm)	3 ft. 9.3 in. (1150 mm)
<b>G</b> Blade Digging Depth . . . . .	23.6 in. (600 mm)	27.7 in. (703 mm)	23.6 in. (600 mm)	27.7 in. (703 mm)	27.7 in. (703 mm)	23.6 in. (600 mm)
<b>H</b> Blade Tilt (uses tilt jack) . . . . .	29.6 in. (753 mm)	19.6 in. (498 mm)	29.6 in. (753 mm)	21.2 in. (538 mm)	22.5 in. (572 mm)	33.6 in. (854 mm)
<b>I</b> Overall Length with Blade* . . . . .	17 ft. 8 in. (5377 mm)	18 ft. 9.5 in. (5726 mm)	17 ft. 8 in. (5377 mm)	18 ft. 9.5 in. (5726 mm)	18 ft. 9.5 in. (5726 mm)	19 ft. 6 in. (5940 mm)
<b>J</b> Overall Width with Blade Angled . . . . .	N/A	11 ft. 1.5 in. (3390 mm)	N/A	12 ft. 0 in. (3658 mm)	12 ft. 9.6 in. (3901 mm)	N/A
<b>K</b> Blade Angle . . . . .	N/A	23.8 deg.	N/A	23.8 deg.	23.8 deg.	N/A
<b>L</b> Cut Reach . . . . .	N/A	6.2 in. (158 mm)	N/A	5.7 in. (145 mm)	4.3 in. (109 mm)	N/A

\*Optional extended drawbar adds 9.5 in. (241.5 mm).



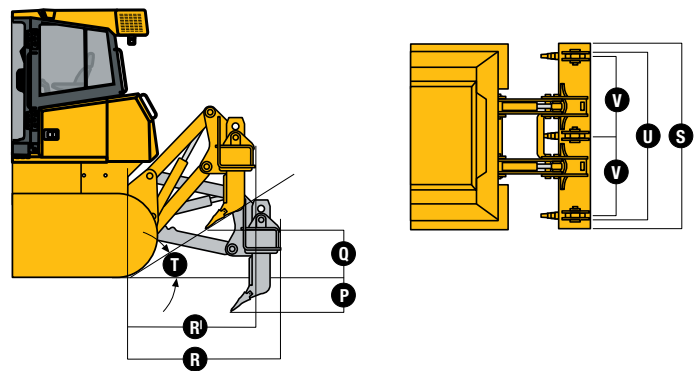
Machine Dimensions (continued)	850J	850J LT	850J WT	850J WLT	850J LGP
Blade Type	Outside dozer	PAT	Outside dozer	PAT	Outside dozer
M Width Over Track	8 ft. 2 in. (2489.2 mm)	8 ft. 10 in. (2692.4 mm)	9 ft. 2 in. (2794 mm)	9 ft. 10 in. (2997.2 mm)	10 ft. 10 in. (3302 mm)
N Cast Reach	N/A	11.2 in. (284 mm)	N/A	10.7 in. (271 mm)	N/A
O Cutting Edge Angle	51.5–61.0 deg.	55.1–60.2 deg.	51.5–61.0 deg.	55.1–60.2 deg.	51.5–61.0 deg.



### Rear Ripper 850J / 850J LT / 850J WT / 850J WLT / 850J LGP

Multi-shank (3) parallelogram ripper with hydraulic pitch adjustment and ESCO ripper tips

- Weight . . . . . 4,480 lb. (2032 kg)
- P Maximum Penetration . . . . . 28.5 in. (724 mm)
- Q Maximum Clearance Under Tip . . . . . 24 in. (610 mm)
- R Overall Length (lowered position) . . . . . 5 ft. 4 in. (1626 mm)
- R' Overall Length (raised position) . . . . . 5 ft. 0 in. (1524 mm)
- S Overall Beam Width . . . . . 7 ft. 11 in. (2400 mm)
- T Slope Angle (full raise) . . . . . 24 deg.
- U Ripping Width . . . . . 7 ft. 1 in. (2146 mm)
- V Distance Between Shanks . . . . . 3 ft. 5 in. (1041 mm)



## 750J / 850J CRAWLER DOZERS

**Key:** ● Standard equipment ▲ Optional or special equipment

\*See your John Deere dealer for further information.

### 750J 850J Engine

- Certified to EPA Tier 3 emissions
- Certified to EPA Tier 3 and EU Stage IIIA emissions
- ▲ Certified to EPA Tier 2 and EU Stage II emissions
- Electronic control with automatic engine protection
- Dual safety element dry-type air cleaner, evacuator valve
- Muffler, self draining, under hood, with vertical stack
- Environmental service drains
- ▲ Ether start aid
- ▲ Chrome exhaust
- ▲ Rotary ejector engine air precleaner

#### Cooling

- Cooling fan, suction type, programmable reversing
- Engine coolant radiator (10 fins per in.)
- Engine coolant radiator (6 fins per in.)
- Hydrostatic cooler (oil/air – 10 fins per in.)
- Hydrostatic cooler (oil/air – 6 fins per in.)
- Hydraulic cooler (oil/air – 6 fins per in.)
- Enclosed safety fan guard (conforms to SAE J1308 and ISO3457)
- Perforated engine side shields
- Split-hinge bar-type grille
- ▲ Extreme-duty grille

#### Transmission

- Diagnostic test ports
- Environmental service drains
- ▲ Final-drive seal guards

#### Hydraulic System

- Two-function hydraulics
- ▲ Three-function hydraulics
- ▲ Four-function hydraulics with rear plumbing
- ▲ High-flow hydraulic pump and hydraulic cooler for use with winch
- ▲ Integrated Grade Control (IGC)

#### Mainframe, Access Panels

- Tilt operator station transmission access
- Front tow loop (bolt-on)
- Integral bottom protection
- Hinged bottom access covers (bolt-on)
- Vandal protection: Engine access door / Side tank access doors / Fuel tank / Instrument panel / Transmission reservoir / Hydraulic reservoir
- Maintenance-free center crossbar pivot

### 750J 850J Attachments

- ▲ Retrieval hitch with pin
- ▲ Extended rigid drawbar with pin for pull-type implements
- ▲ Counterweight, rear, 720 lb. (327 kg)
- ▲ Counterweight, rear, 1,000 lb. (454 kg)
- ▲ Ripper, rear, three shank
- ▲ Winch, hydrostatically driven\*
- ▲ Forestry screens\*

#### Undercarriage

- Oscillating undercarriage with remote lube
- Full-length, smooth-surface track frame covers
- Guides, front and rear, with bolt-on wear strips
- Segmented sprockets
- Double-flange rollers
- ▲ Extended life undercarriage SC-2™ bushings
- ▲ Full-length rock guards

### Canopy Cab Operator's Station / Electrical

- Retractable seat belts, 3 in. (76 mm) (conforms to SAE J386)
- Convex interior rearview mirror, 4-in. (102 mm) tall, 8-in. (203 mm) wide (conforms to SAE J985)
- Power port, 12 volts
- ▲ Second power port, 12 volts
- Lockable dash-mounted storage compartment
- Air conditioner, 24,000 Btu
- Tinted glass
- Dome light
- Heater (roof mount)
- Front and door wipers
- Mechanical suspension vinyl seat
- Mechanical suspension fabric seat
- ▲ Air suspension vinyl seat
- ▲ Air suspension fabric seat
- ▲ Under-seat heater
- ▲ Rear wiper, two speed
- ▲ AM/FM, weather-band radio, clock
- ▲ External-mounted attachment mirror
- Sealed alternator, 55 amps
- Master electrical disconnect switch
- Lights, grille mounted (2), rear mounted (1)
- ▲ Work lights (4), roof mounted
- JDLink™ Ultimate wireless communication system

## CONTROL OWNING AND OPERATING COSTS

Customer Personal Service (CPS) is part of John Deere's proactive, fix-before-fail strategy on machine maintenance that will help control costs, increase profits, and reduce stress. Included in this comprehensive lineup of ongoing programs and services are:

**Fluid analysis program** – tells you what's going on inside *all* of your machine's major components so you'll know if there's a problem *before* you see a decline in performance. Fluid analysis is included in most extended coverage and preventive-maintenance agreements.

**Component life-cycle data** – gives you vital information on the projected life span of components and lets you make informed decisions on machine maintenance by telling you approximately how many hours of use you can expect from an engine, transmission, or hydraulic pump. This information can be used to preempt catastrophic downtime by servicing major components at about 80 percent of their life cycle.

**Preventive Maintenance (PM) agreements** – give you a fixed cost for maintaining a machine for a given period of time. They also help you avoid downtime

by ensuring that critical maintenance work gets done right and on schedule. On-site preventive maintenance service performed where and when you need it helps protect you from the expense of catastrophic failures and lets you avoid waste-disposal hassles.

**Extended coverage** – gives you a fixed cost for machine repairs for a given period of time so you can effectively manage costs. Whether you work in a severe-service setting or just want to spread the risk of doing business, this is a great way to custom-fit coverage for your operation. And an extended coverage contract also travels well because it's backed by John Deere and is honored by *all* Deere construction dealers.

**Customer Support Advisors (CSAs)** – Deere believes the CSA program lends a *personal* quality to Customer Personal Service (CPS). Certified CSAs have the knowledge and skills for helping make important decisions on machine maintenance and repair. Their mission is to help you implement a plan that's right for *your* business and take the burden of machine maintenance off your shoulders.



JOHN DEERE

10-05-09

Net engine power is with standard equipment including air cleaner, exhaust system, alternator, and cooling fan at test conditions per ISO9249. No derating is required up to 10,000-ft. (3050 m) altitude. Also available: winches, fair-leads, log arches, skidding grapples, trash packages, landfill protection packages, cable plows, side booms, field-installed cab for canopy, canopy heater, and fire suppression systems.

Specifications and design subject to change without notice. Wherever applicable, specifications are in accordance with SAE standards. Except where otherwise noted, these specifications are based on units with rollover protective structures, full fuel tanks, 175-lb. (79 kg) operators, and standard equipment; 750J LT unit with 22-in. (560 mm) moderate-duty grousers, rigid drawbar, and Semi-U (High-Production) blade; and 750J WT and LGP units with 34-in. (865 mm) single-bar grousers and rigid drawbars.

